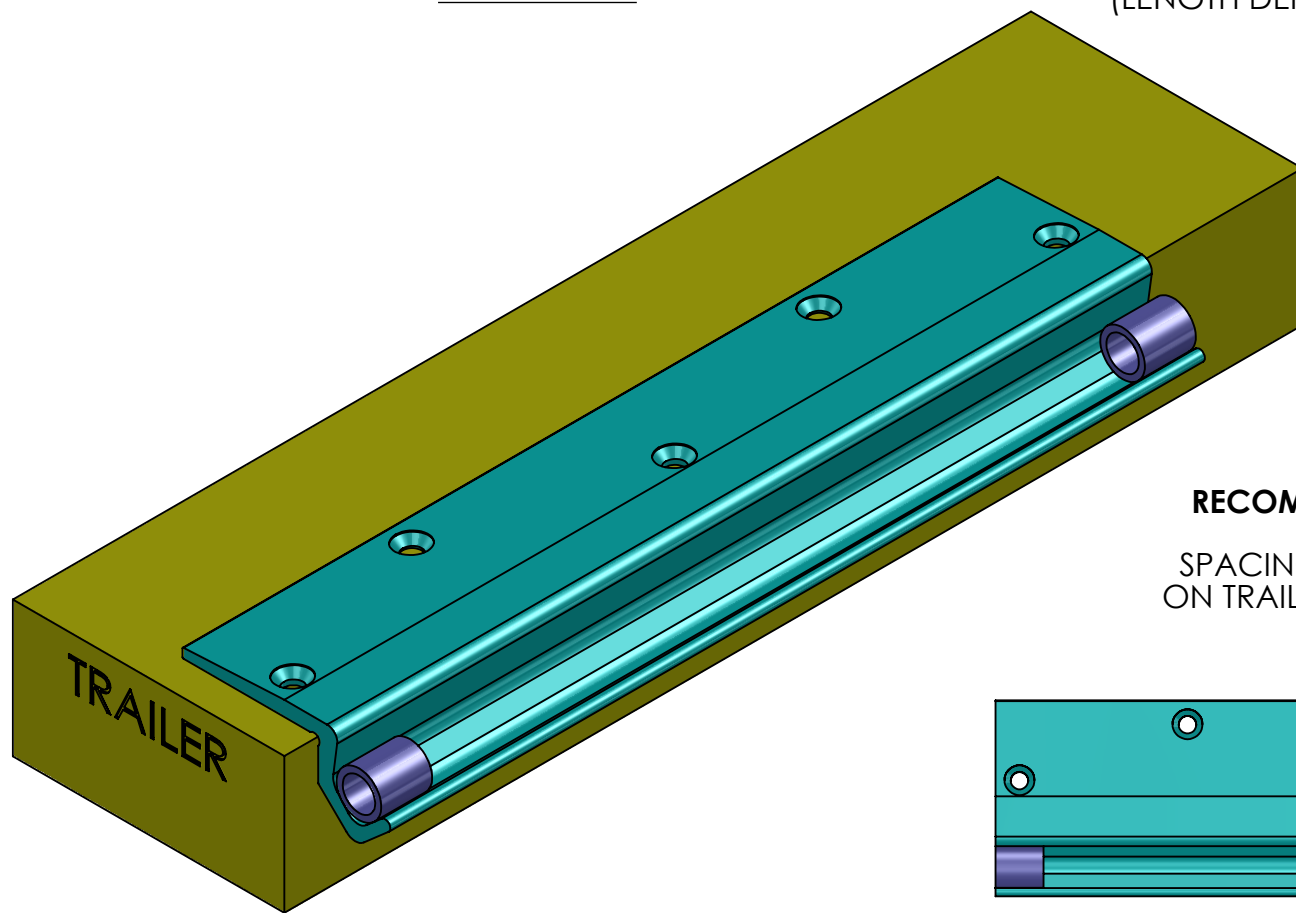


# ALUMINUM SKID SEAT INSTALLATION INSTRUCTIONS

## BOLTING

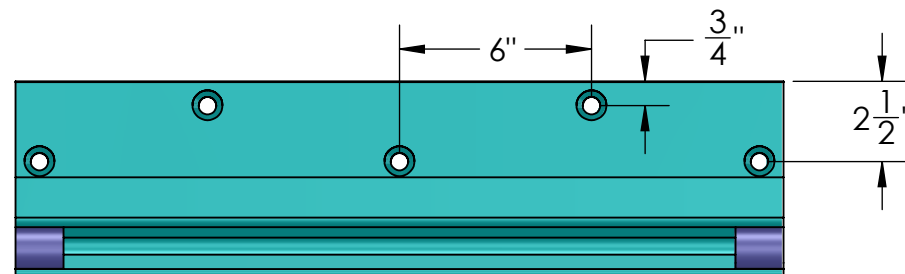
### RECOMMENDED FASTENERS

1/2-13 GRADE 8 FLAT HEAD CAP SCREW  
(LENGTH DEPENDS ON TRAILER MOUNTING THICKNESS)  
1/2" FLAT WASHERS  
1/2" LOCK WASHERS  
1/2-13 GRADE 8 NUTS



### RECOMMENDED HOLE SPACING

SPACING MAY VARY DEPENDING  
ON TRAILER FRAME CONSTRUCTION



- 1) BEGIN WITH PLACING THE SKID SEAT IN THE DESIRED POSITION.
- 2) LOCATE ANY AREA ON THE TRAILER THAT WOULD INTERFERE WITH THE PLACEMENT OF FASTENERS.
- 3) USING THE RECOMMENDED HOLE SPACING, DRILL AND COUNTERSINK  $9/16"$   $\phi$  HOLES IN THE SKID SEAT.
- 4) TRANSFER THE HOLES FROM THE SKID SEAT TO THE TRAILER AND DRILL THROUGH. MAKE SURE EVERYTHING IS CLEAR WHERE THE DRILL WILL COME THROUGH.
- 5) USING GRADE 8 FASTENERS, SECURE THE SKID SEAT TO THE TRAILER.
- 6) ADD A SPACER BEHIND THE REAR BUMPERS IF NEEDED. TO PREVENT DAMAGE, THE BUMPERS MUST EXTEND PAST THE END OF THE SKID SEAT.