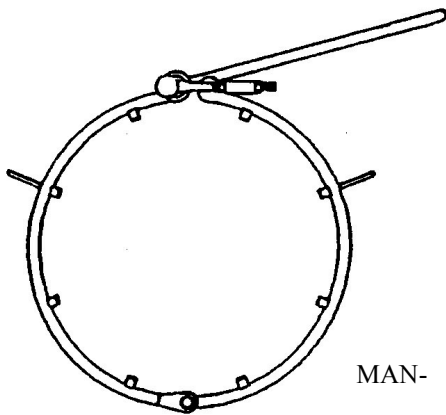
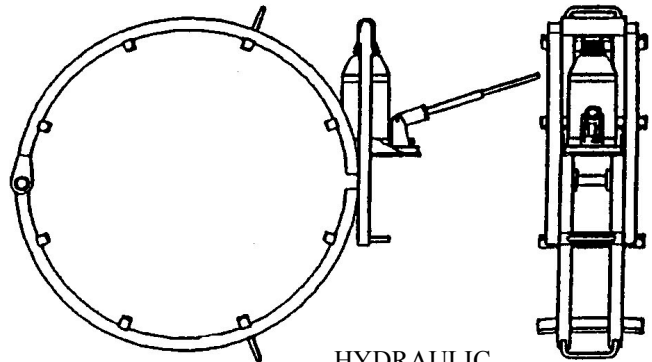
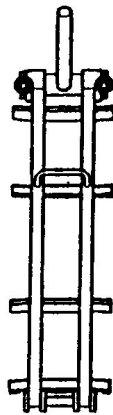


Standard and No Tack External Pipeline Clamps

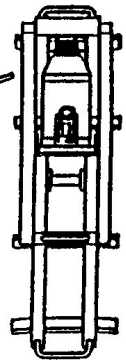
These clamps are the only external pipeline clamps which offer an optional selection in cross-member bar design, and a choice of closure mechanisms. With these options, the contractor can order the clamp which will best do his job.





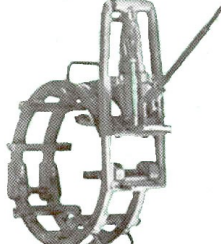


MAN-



HYDRAULIC



<p>STANDARD</p>	 <p>FLAT CROSS BARS</p>	<p>NO TACK</p>	 <p>ARCHED CROSS BARS</p>
<p>Manual</p> <p>Simple, quick, and easy to use! Tightens with cam lock hand lever. Standard in the industry for over 50 years.</p>		<p>Manual</p> <p>Arched cross bar permits full circle welding without moving clamp. Tightens with cam lock hand lever.</p>	
<p>Hydraulic</p> <p>Easy to use. Pulls down tight with a Hydraulic jack.</p>		<p>Hydraulic</p> <p>Pulls down tight with hydraulic jack. Arched cross bar permits full circle welding without moving.</p>	